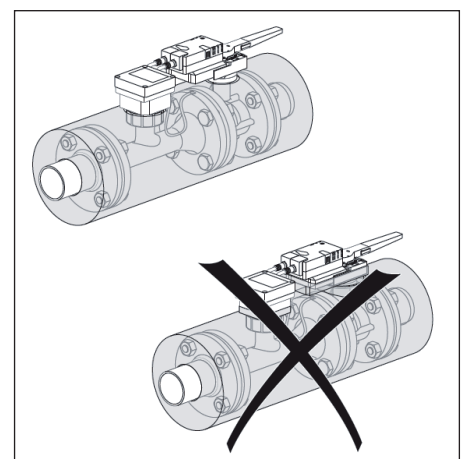
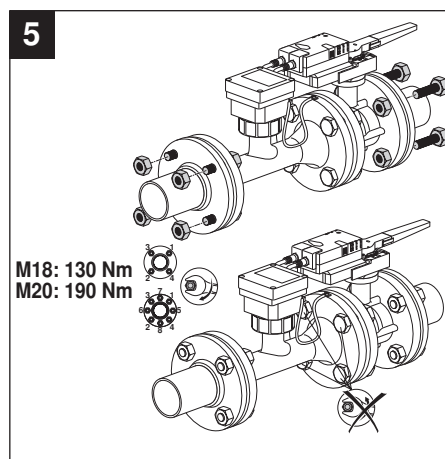
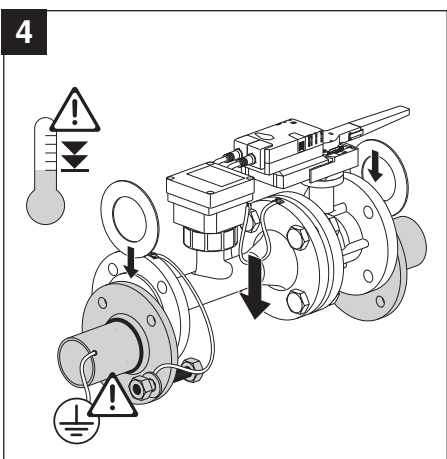
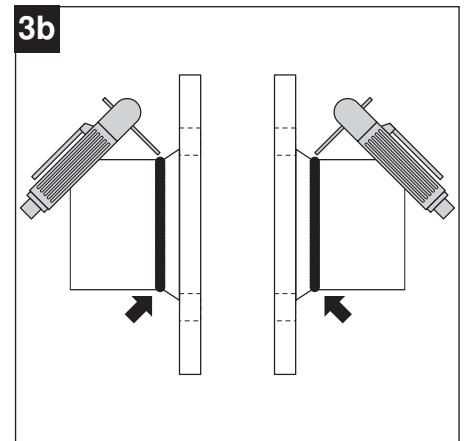
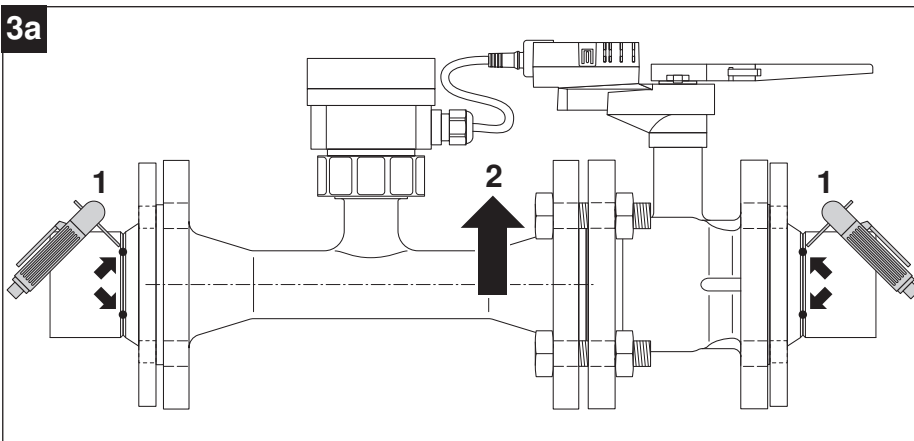
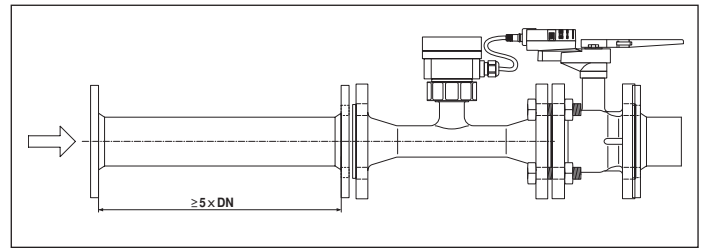
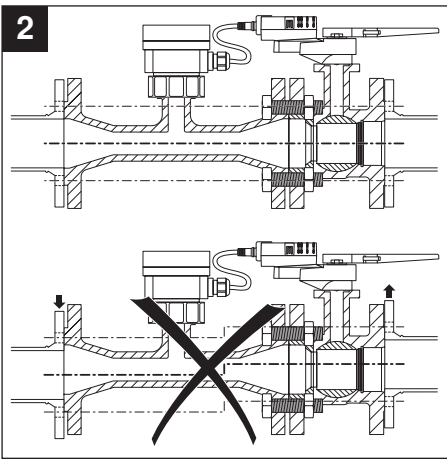
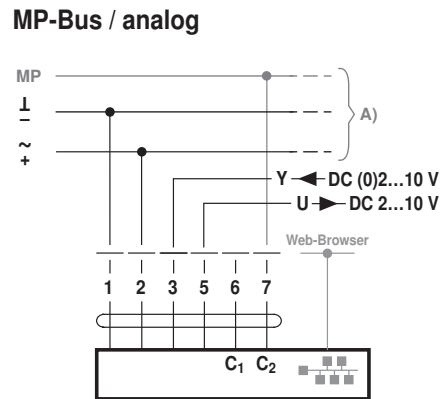
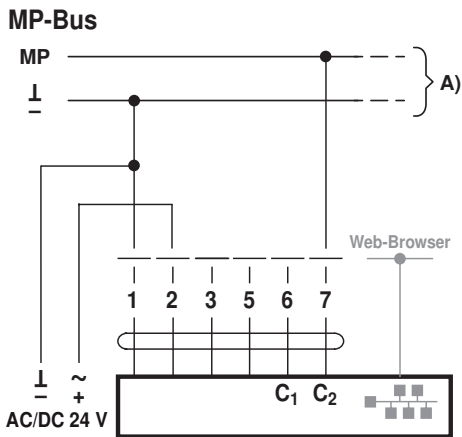
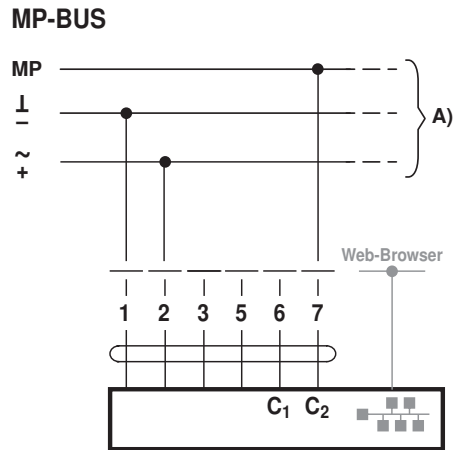
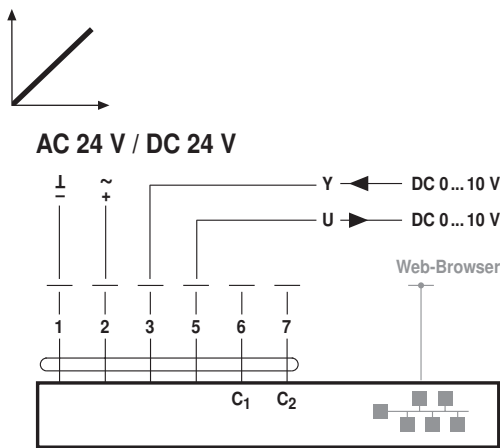


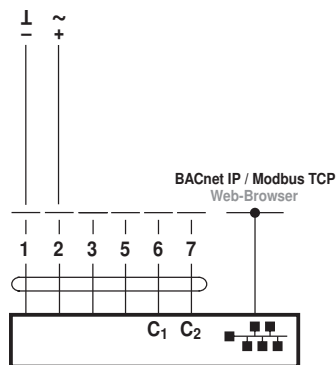
DN	L <sup>1)</sup>	G	L <sub>T</sub>
65 ... 400	≤30 mm	1/2"	≥15 mm

1) DN 65 = 30 mm

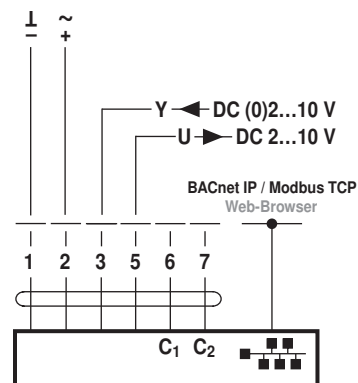




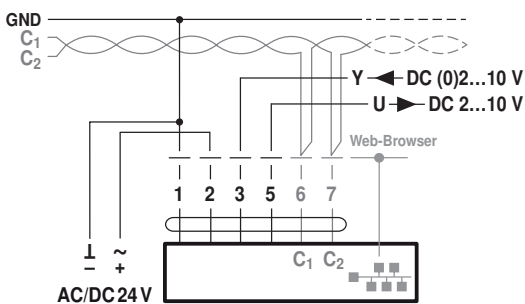
**BACnet IP / Modbus TCP**



**BACnet IP / Modbus TCP / analog**



**BACnet MS/TP / Modbus RTU / analog**



**BACnet MS/TP / Modbus RTU**

